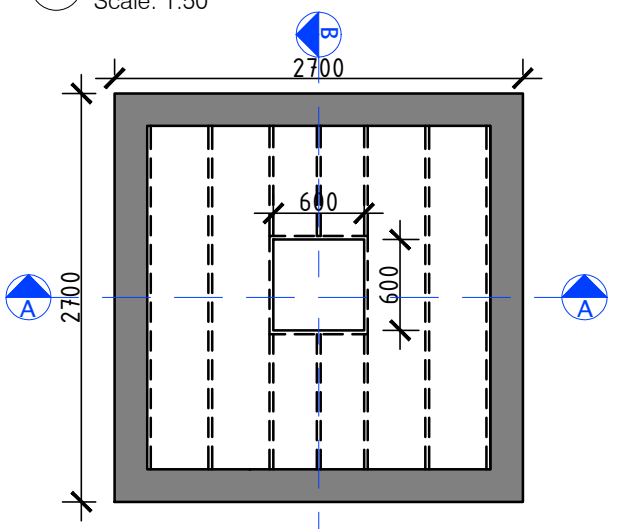
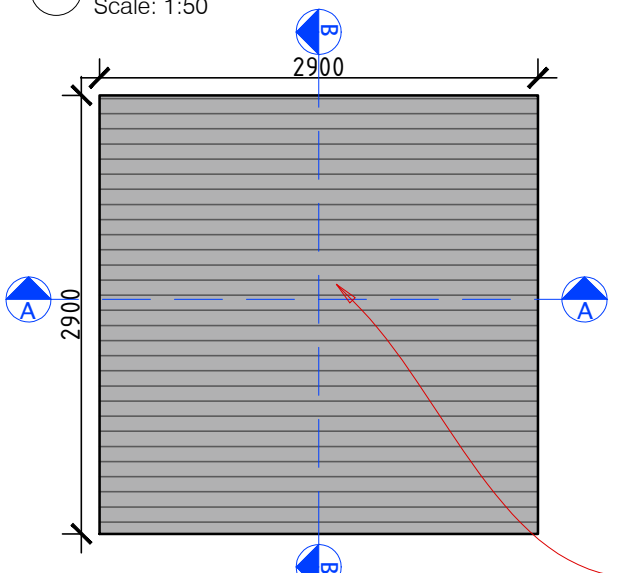


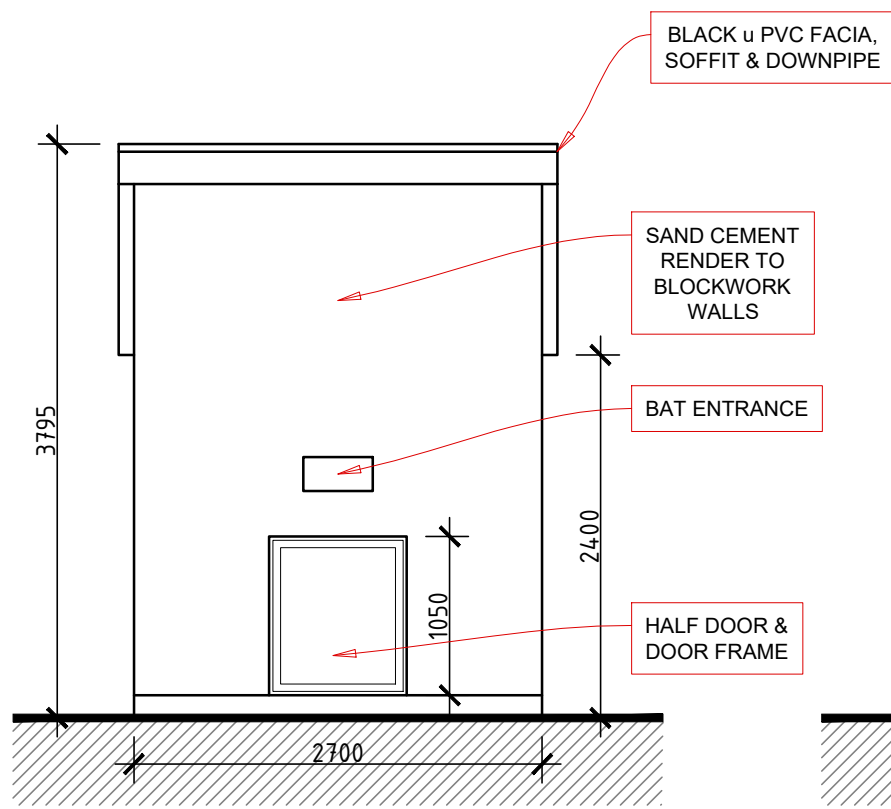
01 Proposed Ground Floor Plan  
Scale: 1:50



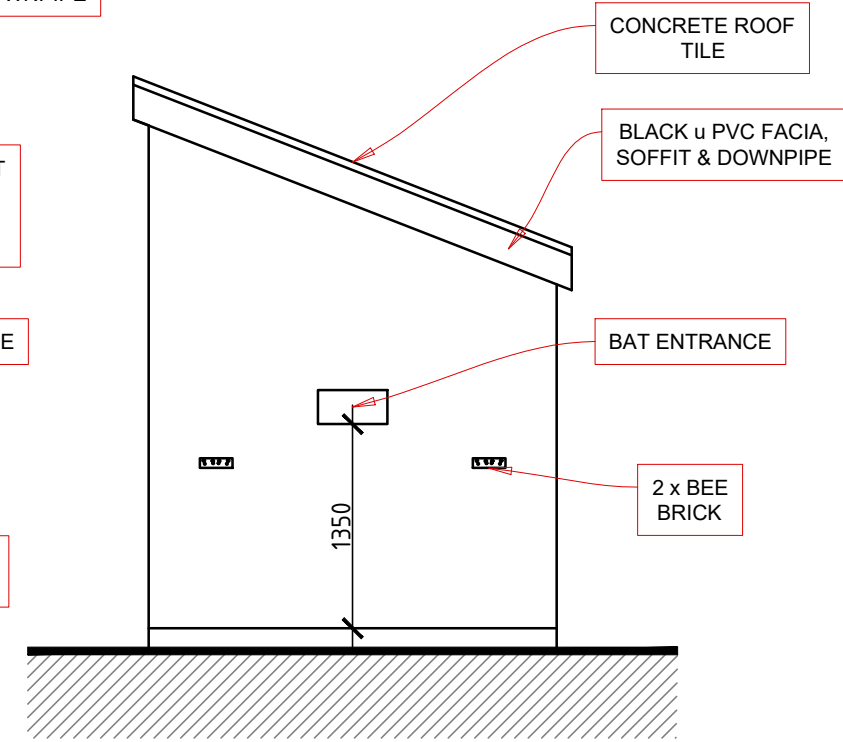
02 Proposed First Floor Plan  
Scale: 1:50



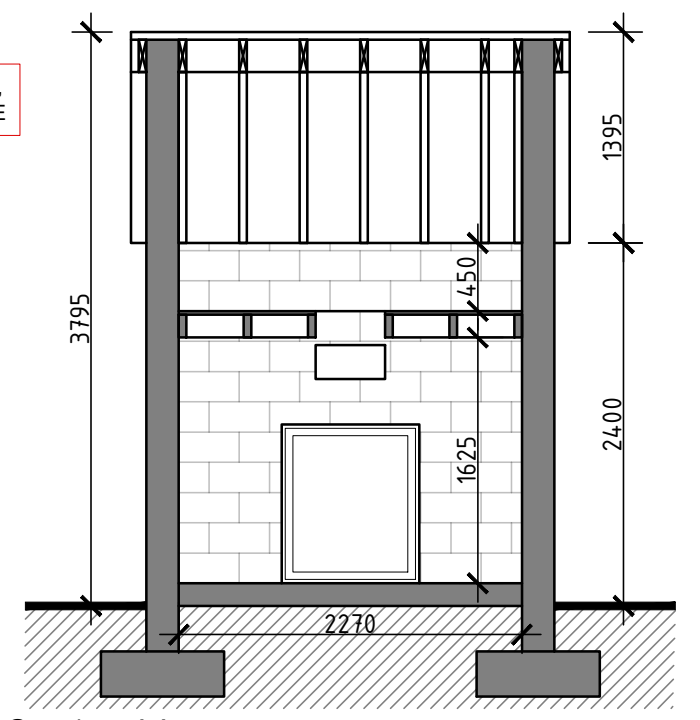
03 Proposed Roof Plan  
Scale: 1:50



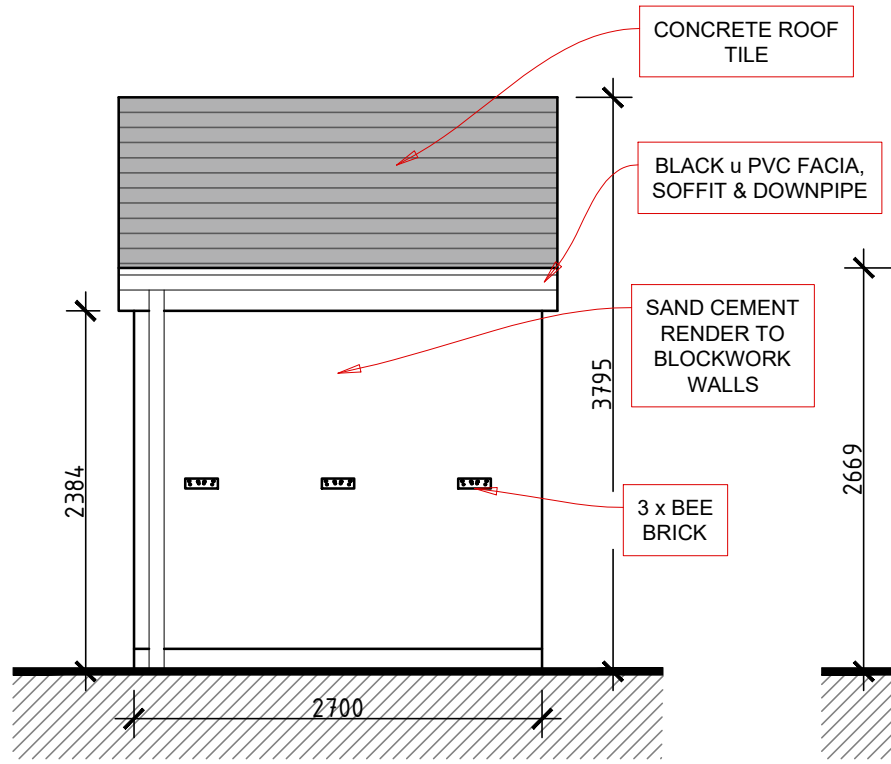
04 Proposed Front Elevation  
Scale: 1:50



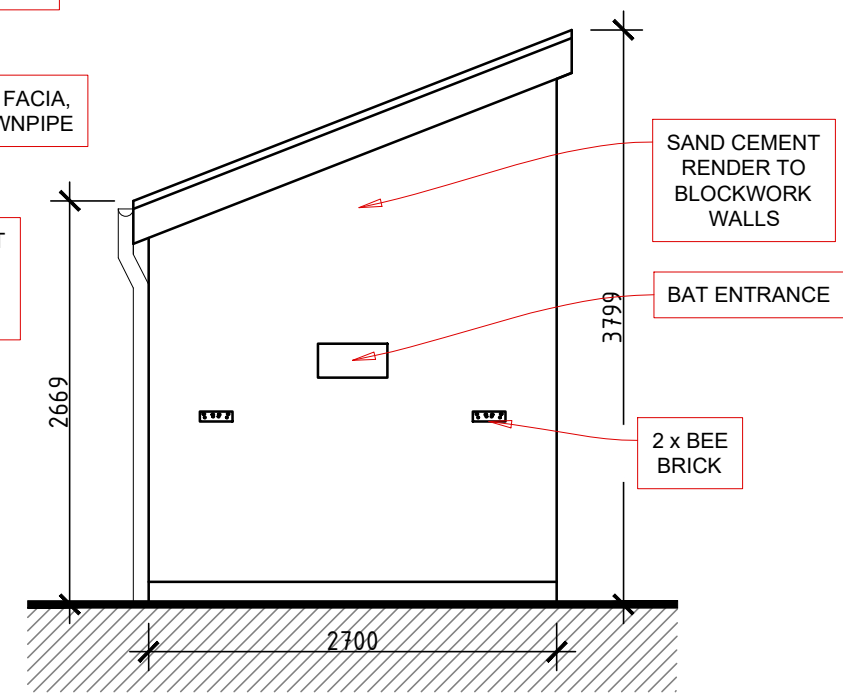
05 Proposed Side Elevation 01  
Scale: 1:50



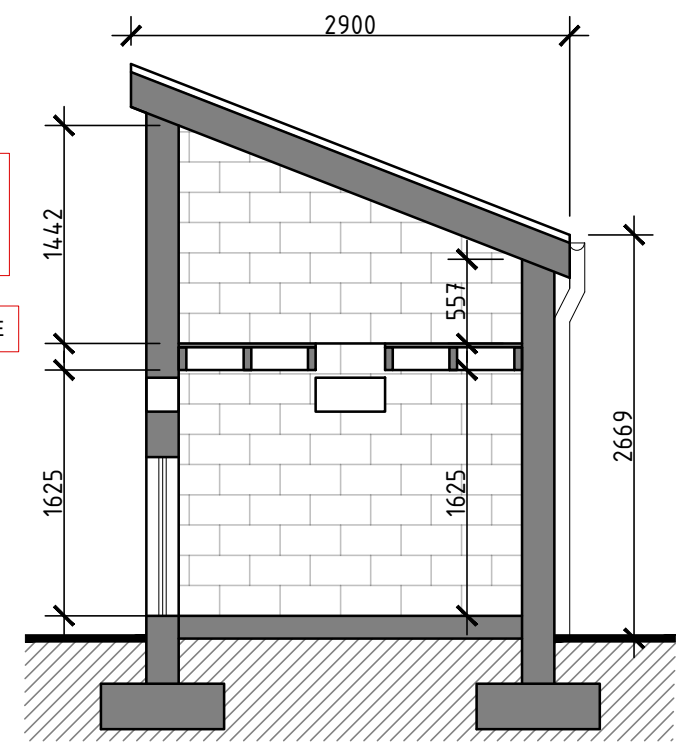
06 Section AA  
Scale: 1:50



07 Proposed Rear Elevation  
Scale: 1:50



08 Proposed Side Elevation 02  
Scale: 1:50



09 Section BB  
Scale: 1:50

CONCRETE ROOF TILE

SEE SITE LAYOUT DRAWING No.3004 FOR BAT HOUSE LOCATIONS

No.	Date	Comments	By

REVISIONS

No.	Date	Comments	By

REVISIONS

Scale: 1:50  
 Drawing Purpose: LRD Application  
 Project: Residential Development at Bothar an Choiste Castlegar, Galway  
 Client: Lock House Developments Ltd.  
 Date: MAR 2025  
 Drawn by: IF  
 Checked by: JON

File Ref: 3.09  
 Subject: Bat House - Plans, Elevations & Sections  
 Project No: 18151  
 Drawing No: 3507  
 Rev: -



Barracks Yard, James St. Westport, Co. Mayo. F28 K798  
 Unit 2, Galway Technology Park, Parkmore, Galway. H91 EPW0